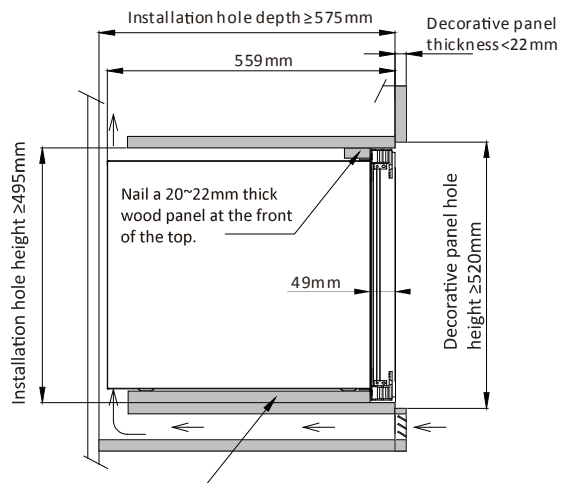
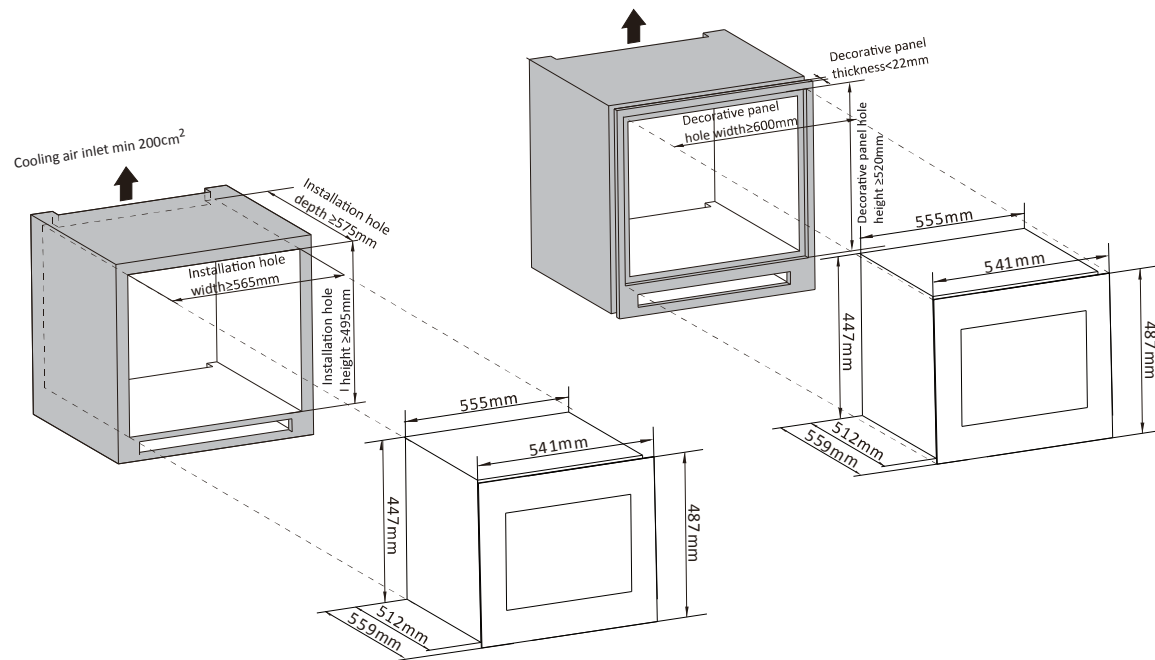


# VKI45SI



A 20~22mm thick wood panel shall be placed at the bottom.